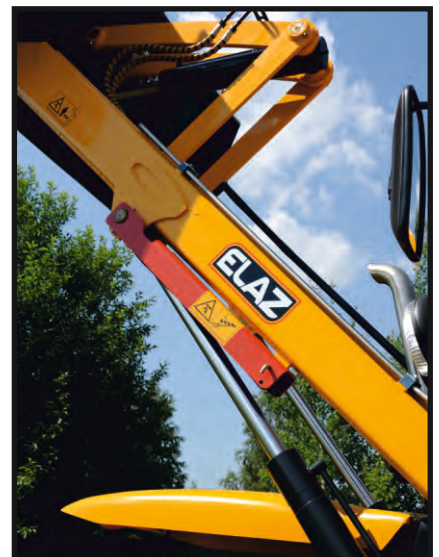


ELAZ



**RUSSIAN
BACKHOE LOADERS
ELAZ-BL**



BACKHOE LOADERS ELAZ-BL

Backhoe loaders ELAZ-BL revolutionize the idea of what a backhoe loader should be. They set new standards in the class, offering innovative technologies, previously available only to premium-segment technology. The eye-catching kinetic design and comfort in management will leave nobody indifferent.

Backhoe loaders ELAZ-BL showed good results in Russia and outside its borders. This not only due to the perfect quality and reasonable price of the supplied machinery, but also the effective modernization of the product line, allowing full meeting of the existing demand in the market of road construction machinery.

Backhoe loaders ELAZ-BL were equipped with new generation control system among the first. The joystick hydraulic control (ELAZ-BL 888), allows operator to carefully control the operation of the working elements using convenient handle. In addition to manoeuvrability, this system allows smooth changing of speed and direction of movement at any load, facilitating operator's work and improving operational characteristics of the machinery.

Improved, reliable hydraulic system, enduring extreme load for a long period of time; double gear pump, virtually maintenance free and less noisy compared to its analogues; hydraulic flow limiting system in terms of velocity thus significantly saving fuel; comfortable cab and maximum all-around visibility; operation and movement on the challenging terrain - all this allows deriving maximum benefit from the operation of backhoe loaders ELAZ-BL.

ELAZ-BL versatility is increased due to possibility of using large number of additional equipment (hydraulic hammer, hydrodrill, additional buckets for various applications, etc.

Backhoe loaders ELAZ-BL successfully compete with the leading manufacturers of special machinery.

To date, ELAZ-BL backhoe loaders are the best offer for price/quality ratio.

COMPETITIVE ADVANTAGES

- ✓ Comfort cab with ROPS/FOPS protection
- ✓ High Performance Hydraulic System
- ✓ Maximum comfort, easy manoeuvrability, low operation costs
- ✓ Low technical maintenance costs
- ✓ Easy maintenance
- ✓ Full-range spare parts at distributor warehouse in Russia



- ✓ Prompt delivery of spare parts to any destination point in the Russian Federation within 72 hours
- ✓ Possibility of quick completing units of machine and installing additional options at assembly stage at the request of the customer
- ✓ Complete technical adaptation to severe climatic conditions

ELAZ-BL 880

Engine

Emission class	TIER-II	TIER-II
Manufacturer	Perkins	MMZ
Model	1104C-44T	D-245C
Type	4-stroke turbocharged diesel	4-x stroke turbocharged diesel
Engine power - engine peak break power	100 hp /74,5 kW	104,7 hp /77 kW
Rotation frequency	2200 rpm	2200 rpm
Displacement	4,4 l	4,75 l
Cylinder diameter and piston stroke	105 x 127 mm	110 x 125 mm
Number of cylinders	4	4
Max torque	410 Nm/1400 rpm	392 Nm/1400 rpm

Electric system

Battery	12B/140 Ah
Starter	3 kW

Transmission

- Semiautomatic transmission Carraro.
- 4 wheel drive.
- Low noise level and high towing effort.

Manufacturer	Carraro
Type	Powershuttle

Driving speed

1-st (front/rear)	5,80/5,80 km/hour
2-nd (front/rear)	9,30/9,30 km/hour
3-nd (front/rear)	21,40/21,40 km/hour
4-th (front/rear)	40,00/40,00 km/hour

Brake system

- Internal wet multiple disk brakes.
- Hydraulic foot brake controllable with two pedals.
- When pressing the two pedals all wheels are locked.

Type	Hydraulic wet
Parking	Mechanical locking

Loader bucket

Bucket capacity	1,0 m ³
Max. breakout force	43,51 kN
Bucket width	2230 mm

Loading capacity of the front loading equipment

Lifting capacity at max. height	3080 kg
Loader arm max. lifting capacity	4800 kg

Backhoe bucket

Max. bucket breakout force	59,4 kN
Telescopic boom breakout force (folded/discharged)	30,8 kN/21,7 kN
Bucket capacity	0,18 m ³
Bucket width	600 mm

Hydraulic system

- Open type system .
- Tandem (dual) hydraulic gear pump

PUMP type	Open type system
Hydraulic pump	Tandem gear pump
Max. capacity	154 l/min
Max. working pressure	225 bar
Cooling	Oil cooler

Hydraulics control

Backhoe control	Lever type
Front bucket control	Lever type

Steering wheel

- Hydrostatical power steering.
- Control type-2-wheel drive.
- Pressure control system in rear wheels brake mechanisms is available depending on the load

Control type	Front axle
Power steering type	Hydrostatical

Turning radius (without brakes)

Front wheels	7750 mm
Front bucket	10700 mm

Axles

Front axle Carraro

- Easy operation with hydraulic steering system even in heavy loading conditions.
- 52 degrees turning angle provides excellent maneuverability.

Rear axle Carraro

- Electro-hydraulic differential allowing complete locking of the axle .

Manufacturer	Carraro
Type	4WD
Total oscillation	16°
Rear axle	Electro hydraulic locking

Wheel sizing

Front	12,5x18-12 PR
Rear	16,9x28- 12 PR

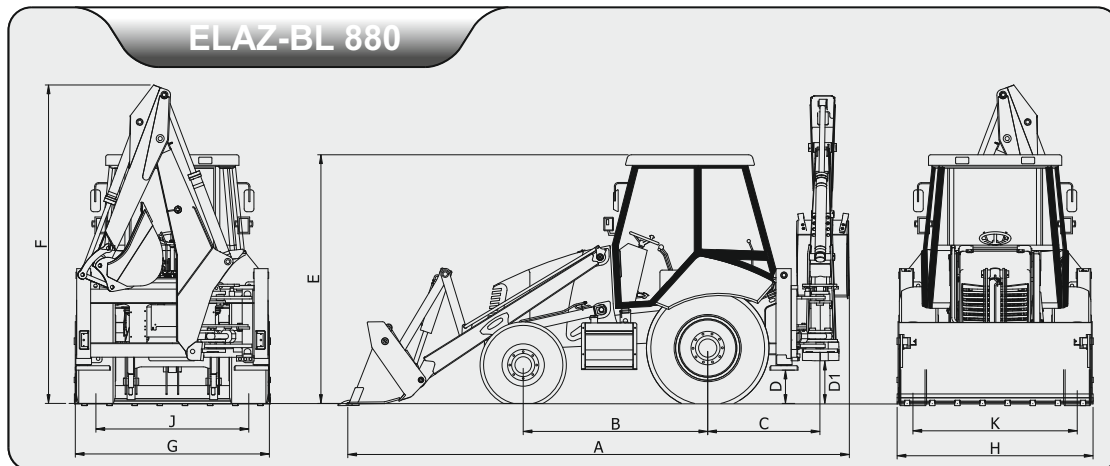
Weight

Operating weight	8000 kg
------------------	---------

Volumes of liquids used

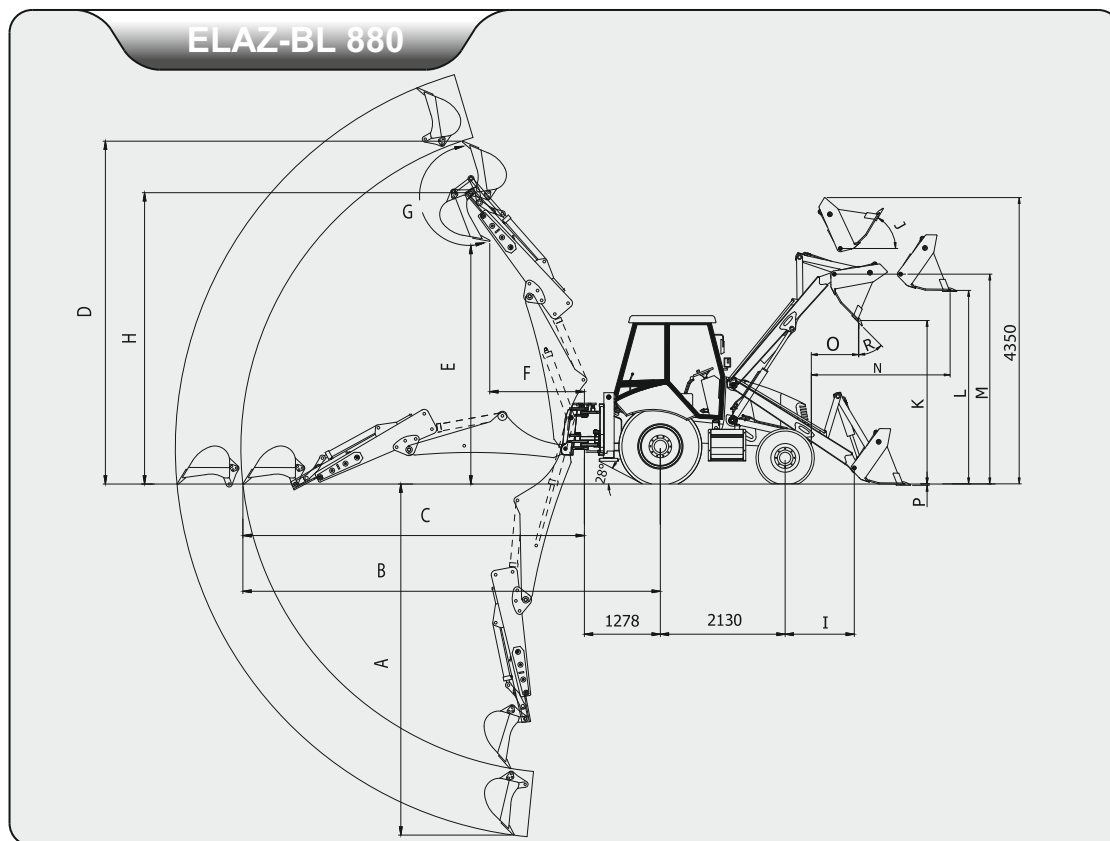
Motor oil	8,4 l
Cooling system	23 l
Fuel tank	125 l
Hydraulic oil tank	85 l
Hydraulic system	125 l
Front axle	9,1 l
Rear axle	17 l
Brake fluid	0,4 l

DIMENSIONS



A-Overall length with bucket	5710 mm
B-Wheel base	2100 mm
C-Distance from rear axle to backhoe	1278 mm
D-Min. ground clearance	400 mm
D1-Ground clearance under excavating unit	550 mm

E-Cab height	2830 mm
F-Max. loader height	3850 mm
G-Overall width of loader	2230 mm
H-Width of the front bucket	2230 mm
J-Rear wheels tread	1740 mm
K-Front wheels tread	1870 mm



Loader backhoe

	Telescopic boom	
	Folded	Discharged
A-Max. dig depth	4600 mm	5800 mm
B-Max. boom outreach from rear axle	7000 mm	8100 mm
C-Max. boom outreach from carriage	5700 mm	6800 mm
D-Max. dig height	5600 mm	6450 mm
E-Max. dump bucket clearance	3850 mm	4700 mm
F-Dumping reach	1800 mm	2650 mm
G-Bucket rotation angle	200,4°	200,4°
H-Max. dump bucket clearance along foot pin	4750 mm	5550 mm
Backhoe max. working load	1390 kg	1310 kg
Axis offset	1120 mm	

Front bucket

I-Distance between hinge pin and front axle	1163 mm
J-Dump angle when lifting the bucket to maximum height	59,2°
K-Dump bucket clearance	2740 mm
L-Dump height	3230 mm
M-Height to upper hinge	3500 mm
N-Max. dumping reach	1200 mm
O-Min. dumping reach	790 mm
P- Planning depth	115 mm
R-Bucket dump angle	45°

ELAZ-BL 880 enhanced lifting capacity

Engine

Emission class	TIER-II	TIER-II
Manufacturer	Perkins	MMZ
Model	1104C-44T	D-245C
Type	4-stroke turbocharged diesel	4-x stroke turbocharged diesel
Engine power - engine peak break power	100 hp /74,5 kW	104,7 hp /77 kW
Rotation frequency	2200 rpm	2200 rpm
Displacement	4,4 l	4,75 l
Cylinder diameter and piston stroke	105 x 127 mm	110 x 125 mm
Number of cylinders	4	4
Max torque	410 Nm/1400 rpm	392 Nm/1400 rpm

Electric system

Battery	12B/140 Ah
Starter	3 kW

Transmission

- Semiautomatic transmission Carraro.
- 4 wheel drive.
- Low noise level and high towing effort.

Manufacturer	Carraro
Type	Powershuttle

Driving speed

1-st (front/rear)	5,80/5,80 km/hour
2-nd (front/rear)	9,30/9,30 km/hour
3-nd (front/rear)	21,40/21,40 km/hour
4-th (front/rear)	40,00/40,00 km/hour

Brake system

- Internal wet multiple disk brakes.
- Hydraulic foot brake controllable with two pedals.
- When pressing the two pedals all wheels are locked.

Type	Hydraulic wet
Parking	Mechanical locking

Loader bucket

Bucket capacity	1,0 m ³
Max. breakout force	51,5 kN
Bucket width	2280 mm

Loading capacity of the front loading equipment

Lifting capacity at max. height	3800 kg
Loader arm max. lifting capacity	6000 kg

Backhoe bucket

Max. bucket breakout force	59,4 kN
Telescopic boom breakout force (folded/discharged)	30,8 kN/21,7 kN
Bucket capacity	0,18 m ³
Bucket width	600 mm

Hydraulic system

- Open type system .
- Tandem (dual) hydraulic gear pump

PUMP type	Open type system
Hydraulic pump	Tandem gear pump
Max. capacity	154 l/min
Max. working pressure	225 bar
Cooling	Oil cooler

Hydraulics control

Backhoe control	Lever type
Front bucket control	Lever type

Steering wheel

- Hydrostatical power steering.
- Control type-2-wheel drive.
- Pressure control system in rear wheels brake mechanisms is available depending on the load

Control type	Front axle
Power steering type	Hydrostatical

Turning radius (without brakes)

Front wheels	7750 mm
Front bucket	10700 mm

Axles

Front axle Carraro

- Easy operation with hydraulic steering system even in heavy loading conditions.
- 52 degrees turning angle provides excellent maneuverability.

Rear axle Carraro

- Electro-hydraulic differential allowing complete locking of the axle .

Manufacturer	Carraro
Type	4WD
Total oscillation	16°
Rear axle	Electro hydraulic locking

Wheel sizing

Front	12,5x18-12 PR
Rear	16,9x28- 12 PR

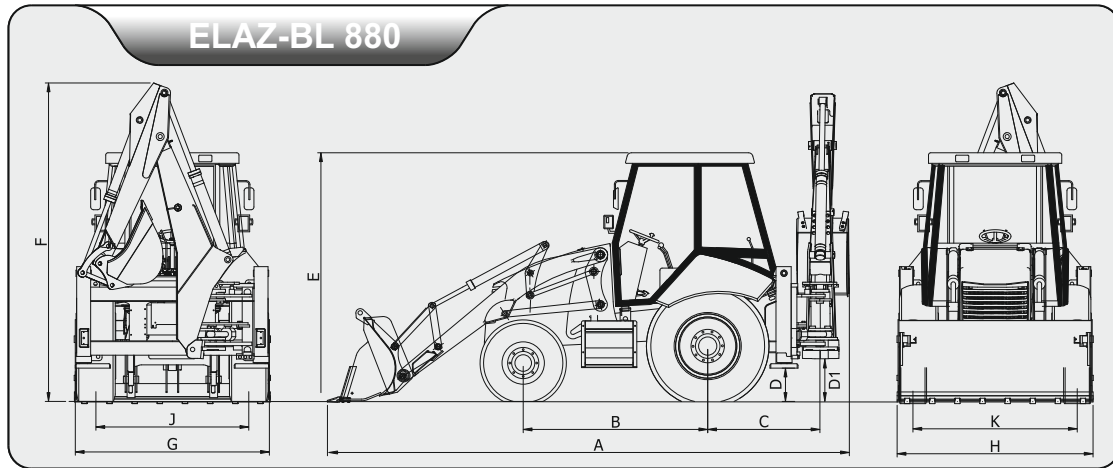
Weight

Operating weight	8280 kg
------------------	---------

Volumes of liquids used

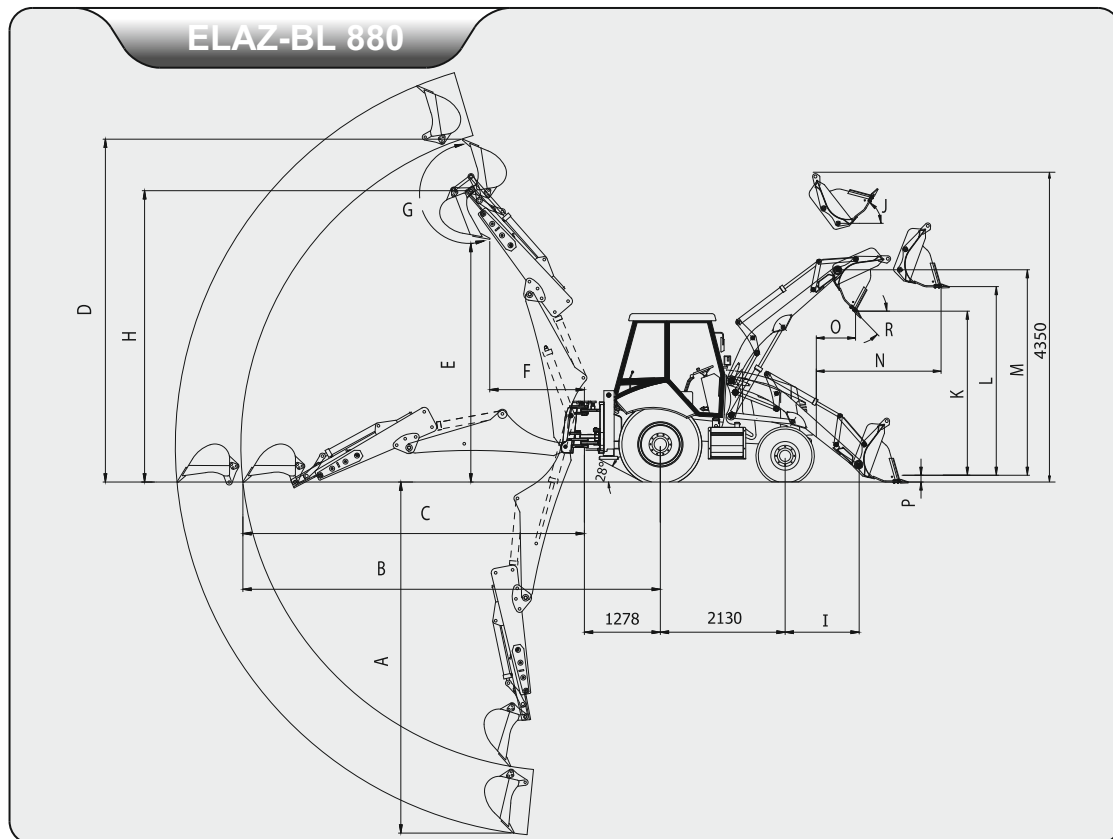
Motor oil	8,4 l
Cooling system	23 l
Fuel tank	125 l
Hydraulic oil tank	85 l
Hydraulic system	125 l
Front axle	9,1 l
Rear axle	17 l
Brake fluid	0,4 l

DIMENSIONS



A-Overall length with bucket	5790 mm
B-Wheel base	2100 mm
C-Distance from rear axle to backhoe	1278 mm
D-Min. ground clearance	400 mm
D1-Ground clearance under excavating unit	550 mm

E-Cab height	2830 mm
F-Max. loader height	3850 mm
G-Overall width of loader	2280 mm
H-Width of the front bucket	2280 mm
J-Rear wheels tread	1740 mm
K-Front wheels tread	1870 mm



Loader backhoe

	Telescopic boom	
	Folded	Discharged
A-Max. dig depth	4600 mm	5800 mm
B-Max. boom outreach from rear axle	7000 mm	8100 mm
C-Max. boom outreach from carriage	5700 mm	6800 mm
D-Max. dig height	5600 mm	6450 mm
E-Max. dump bucket clearance	3850 mm	4700 mm
F-Dumping reach	1800 mm	2650 mm
G-Bucket rotation angle	200,4°	200,4°
H-Max. dump bucket clearance along foot pin	4750 mm	5550 mm
Backhoe max. working load	1390 kg	1310 kg
Axis offset	1120 mm	

Front bucket

I-Distance between hinge pin and front axle	1120mm
J-Dump angle when lifting the bucket to maximum height	59,2°
K-Dump bucket clearance	2750 mm
L-Dump height	3275 mm
M-Height to upper hinge	3550 mm
N-Max. dumping reach	1060 mm
O-Min. dumping reach	580 mm
P- Planning depth	40 mm
R-Bucket dump angle	45°

ELAZ-BL 888

Engine

Emission class	TIER-II	TIER-II
Manufacturer	Perkins	Cummins
Model	1104C-44T	QSB 4.5-110
Type	4-stroke turbocharged diesel	4-x stroke turbocharged diesel
Engine power - engine peak break power	100 hp /74,5 kW	110 hp /82 kW
Rotation frequency	2200 rpm	2200 rpm
Displacement	4,4 l	4,5 l
Cylinder diameter and piston stroke	105 x 127 mm	107 x 124 mm
Number of cylinders	4	4
Max torque	410 Nm/1400 rpm	488 Nm/1500 rpm

Electric system

Battery	12B/140 Ah
Starter	3 kW

Transmission

- Automatic transmission Carraro
- Transmission neutralizing device - button on loading device joystick
- Spin-on filter of vertical fixture

Manufacturer	Carraro
Type	4WD
Transmission disconnection	By button or brake system

Driving speed

1-st (front/rear)	5,80/5,80 km/hour
2-nd (front/rear)	9,60/9,60 km/hour
3-nd (front/rear)	21,20/21,20 km/hour
4-th (front/rear)	40,00/40,00 km/hour

Brake system

- Internal wet multiple disk brakes
- Control with two pedals, when pressing the two pedals, all wheels are locked

Type	Hydraulic wet
Parking	Mechanical locking

Loader bucket

Bucket capacity	1,2 m ³
Max. breakout force	51,5 kN
Bucket width	2400 mm

Loading capacity of the front loading equipment

Lifting capacity at max. height	3800 kg
Loader arm max. lifting capacity	5055 kg

Backhoe bucket

Max. bucket breakout force	59,4 kN
Telescopic boom breakout force (folded/discharged)	39.5 kN/26.5 kN
Bucket capacity	0,18 m ³
Bucket width	600 mm

Hydraulic system

- Open type system
- Tandem connection hydraulic gear pump
- Power control
- Hydraulic fluid flow control system
- Hydraulic control valves of excavator and loading device provide smooth control and precision in movement.
- Platform and boom with shock absorbers provide maximum operator's comfort for maximum output

Pump type	Open type system
Hydraulic pump	Tandem gear pump
Max. capacity	90+64 l/min
Max. working pressure	225 bar
Cooling	Oil cooler

Hydraulics control

Backhoe control	Hydraulic joystick
Front bucket control	Hydraulic joystick

Steering wheel

- Hydrostatical power steering
- Loading response system
- Crab steer function

Control type	4 wheel drive
Power steering type	Hydrostatical

Turning radius (without brakes)

	4x4	4x4x4
Front wheels	8375 mm	5850 mm
Front bucket	10050 mm	5620 mm

Axles

- Front and rear Carraro axles.
- All wheel drive (AWD) in a basic configuration
- AWD activation with a switch at the front dashboard
- AWD activation is possible in every situation: loading and transportation, roading
- 52 degrees turning angle provides excellent maneuverability
- External planetary reducer
- Electro hydraulic axle differential lock
- Total oscillation on the front axle 16°.

Wheel sizing

Front	16,9x28-12 PR
Rear	16,9x28-12 PR

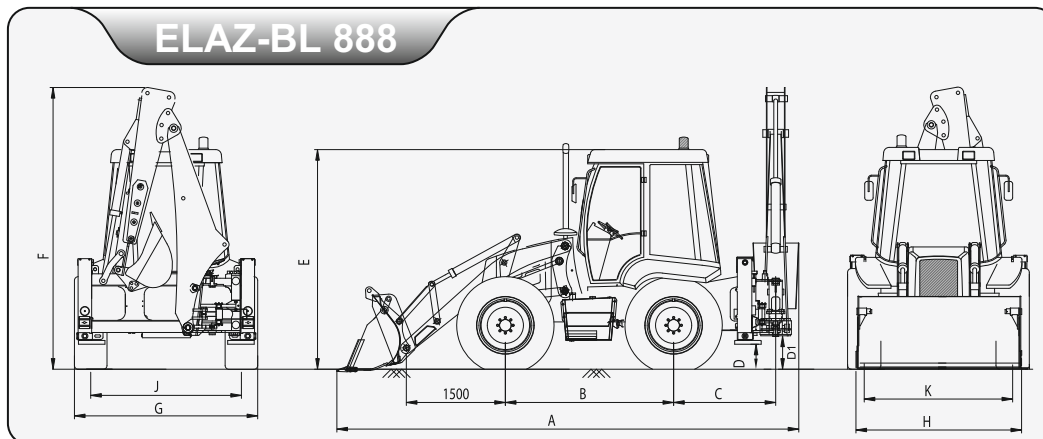
Weight

Operating weight	9000 kg
------------------	---------

Volumes of liquids used

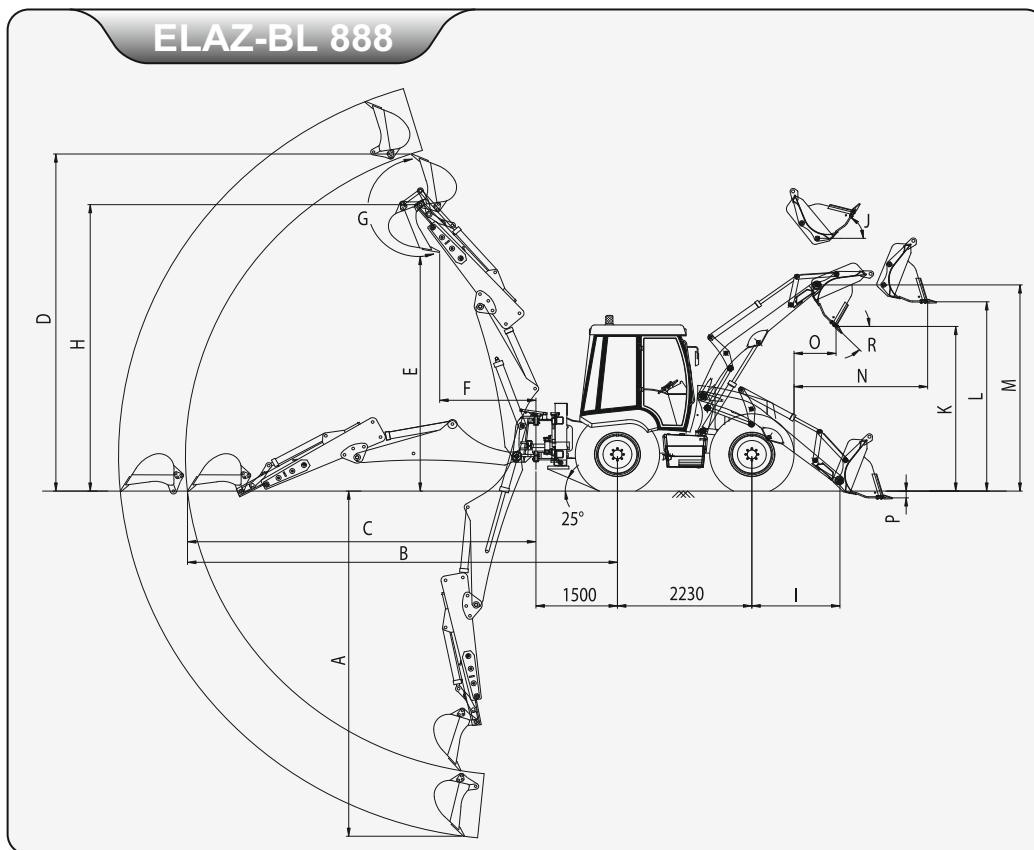
Motor oil	8,4 l
Cooling system	25 l
Fuel tank	142 l
Hydraulic oil tank	85 l
Hydraulic system	130 l
Front axle	11,5 l
Rear axle	16 l
Brake fluid	0,4 l

DIMENSIONS



A-Overall length with bucket	6375 mm
B-Wheel base	2230 mm
C-Distance from rear axle to backhoe	1355 mm
D-Min. ground clearance	400 mm
D1-Ground clearance under excavating unit	550 mm

E-Cab height	2950 mm
F-Max. loader height	3900 mm
G-Overall width of loader	2400mm
H-Width with front bucket	2400 mm
J-Rear wheels tread	1950 mm
K-Front wheels tread	1950 mm



Loader backhoe

	Telescopic boom	
	Folded	Discharged
A-Max. dig depth	4600 mm	5800 mm
B-Max. boom outreach from rear axle	7000 mm	8100 mm
C-Max. boom outreach from carriage	5700 mm	6800 mm
D-Max. dig height	5600 mm	6450 mm
E-Max. dump bucket clearance	3850 mm	4700 mm
F-Dumping reach	1800 mm	2650 mm
G-Bucket rotation angle	200,4°	200,4°
H-Max. dump bucket clearance along foot pin	4750 mm	5550 mm
Backhoe max. working load	1390 kg	1310 kg
Axis offset	1120 mm	

Front bucket

I-Distance between hinge pin and front axle	1550 mm
J-Dump angle when lifting the bucket to maximum height	59,2°
K-Dump bucket clearance	2800mm
L-Dump height	3450 mm
M-Height to upper hinge	3590 mm
N-Max. dumping reach	1060 mm
O-Min. dumping reach	600 mm
P-Planning depth	115 mm
R-Bucket dump angle	45°

EQUIPMENT

Standard equipment

Loader attachments

- Front bucket «6 in 1»
- Bucket safety stop
- Hydraulic control with joysticks (888)
- Automatic return to digging (888)

Backhoe attachments

- Hydraulic control with joysticks (888)
- Platform and boom transport retainer with mechanical control from the cab
- Side shift electro hydraulic lock
- Backhoe loader bucket (800 mm)
- Stabilizer safety valves
- Adjustable backhoe loader joystick knobs (888)

Driveline

- Electro-hydraulic differential lock
- Front shaft protection 4WD
- Differential of limited-friction front axle
- Travel speed up to 40 km /h (all-wheel drive)
- Transmission neutralizer switch (888)

Electric system

- Backup audio alarm
- Battery 12 V, 140 Ah
- Front lights (4 un.) and rear lights (4 un.)
- Main switch of electrical system
- Basic functions audio and visual warning system

Engine system

- Alternator 75 A
- Heat exchanger
- Turbocharger
- Air-cleaner service indicator

Cab ROPS/FOPS

- Vent system
- Defroster
- Front and rear wipers with washer
- Ergonomically equipped control panel
- Windows electrical heating system
- Windows air -type heating system
- Side doors with locks (888)
- Mirrors (external-2)
- Adjustable operator's seat, with seat belt and armrests
- Rotating warning beacon (removable)
- Work light (head lamps) 4 rear and 4 front ones
- Electric cigar lighter
- Clothes hook
- Sunvisor
- Vent holes
- Adjustable steering column
- CD/MP3 player
- Outdoor tool box

Auxiliary equipment

- Attachments
- Electrohydraulic modal suppression system (EHSS)
- Additional front hydraulic lines
- Air conditioning
- Fuel starting preheater

COMPARATIVE TECHNICAL CHARACTERISTICS OF BACKHOE LOADERS ELAZ-BL

Tech. characteristics/Models	ELAZ-BL 880	ELAZ-BL 880 enhanced lifting capacity	ELAZ-BL 888
Operating weight , kg	7850	8280	8840
Max.dig depth (min/max), mm	4600/5800	4600/5800	4600/5800
Max.dump bucket clearance (min/max), mm	3850/4700	3850/4700	3850/4700
Bucket dumping reach (min/max), mm	1800/2650	1800/2650	1800/2650
Loading capacity at max.bucket height, kg	3080	3800	3800
Backhoe bucket volume, m ³	0,18	0,18	0,18
Loading bucket capacity, m ³	1,0 (6 в 1)	1,0 (6 в 1)	1,1 (6 в 1)
Bucket width, mm	2230	2280	2400
Loader bucket max. breakout force, kN	43,51	55	77,2
Backhoe bucket breakout force, kN	59,4	59,4	59,4
Transportation length, mm	5710	5790	6375
Transportation width, mm	2230	2280	2400
Transportation height, mm	3850	3850	3900
Front bucket control	mechanical	mechanical	joystick
Backhoe control	mechanical	mechanical	джойстик
Hydraulic circuit availability	available	available	available
Modern audio systems	available	available	available
Differential interlocking system	available	available	available
Automatic return to digging function	not available	not available	available
Crab steer	not available	not available	available

ATTACHMENTS

Model range of attachments for ELAZ-BL backhoe loaders consists of more than twenty five types of equipment of different modifications that allows satisfying all Customers demands whether it is construction company or utilities service. Compact size and maneuverability make ELAZ-BL backhoe loaders perfect for wide range of tasks such as road maintenance and repair, construction and agricultural activities, warehousing and transportation.

BACKHOE LOADER ELAZ-BL 880



BACKHOE LOADER ELAZ-BL 888



ATTACHMENTS



Drills



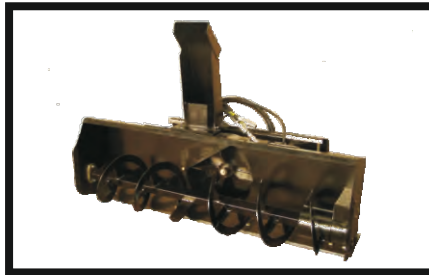
Pallet forks



Mowers



Blades



Snow blowers



Hydrodrills



Clamshell buckets



Quick-detachable devices



Brushes



Multi-purpose buckets



Open-grill buckets



Slew buckets

Exclusive dealer TECHMASHUNIT LLC

125315, Russia, Moscow, 2nd Ambulatory proezd, 10
8-800-700-03-30, +7 (495) 662-662-3
schetinin.s@tsc.su
www.hyundai-tmu.ru

MOSCOW REGION

Moscow (Malakhovka) branch
140030, Moscow region,
Luberetsky district, Malakhovka settlement,
Egor'evskoe shosse, 2
8-800-700-03-30
www.hyundai-tmu.ru

Moscow (Petrovo-Dalnee) branch
143422, Moscow region,
Krasnogorsk district, Mechnikovo settlement, 13
8-800-700-03-30
www.hyundai-tmu.ru

CENTRAL FEDERAL DISTRICT

Belgorod branch
Russia, 308015, Belgorod,
Lugovaya Str., 6A
8-800-700-03-30
www.hyundai-tmu.ru

Yaroslavl branch
Russia, 150044, Yaroslavl,
Prospect Oktyabrya, 89
8-800-700-03-30
www.hyundai-tmu.ru

Oryol branch
Russia, 302011, Oryol,
Novosil'skoe shosse, 1
8-800-700-03-30
www.hyundai-tmu.ru

Kostroma branch
Russia, 156001, Kostroma,
Inzhenery pereulok, 3
8-800-700-03-30
www.hyundai-tmu.ru

Voronezh branch
Russia, 394033, Voronezh,
Ostuzheva Str., 45A
8-800-700-03-30
www.hyundai-tmu.ru

Bryansk branch
Russia, 241020, Bryansk,
Moskovsky proezd, 83/1
8-800-700-03-30
www.hyundai-tmu.ru

Tver branch
Russia, 170017, Tver,
Bolshye Peremerky settlement, 40
8-800-700-03-30
www.hyundai-tmu.ru

Ryazan branch
Russia, 390035, Ryazan,
Gogol Str., 16
8-800-700-03-30
www.hyundai-tmu.ru

Kursk branch
Russia, 305025, Kursk,
Magistralny proezd, building 18-N
8-800-700-03-30
www.hyundai-tmu.ru

Kaluga branch
Russia, 248009, Kaluga,
Grabtsevskoe shosse, building 99
8-800-700-03-30
www.hyundai-tmu.ru

Vladimir branch
Russia, 600035, Vladimir,
Kuibysheva ave, building 26
8-800-700-03-30
www.hyundai-tmu.ru

Tula branch
Russia, 390045, Tula,
Novomoskovskoe shosse, 32
8-800-700-03-30
www.hyundai-tmu.ru

Smolensk branch
Russia, 214530, Smolensk region,
Pechersk settlement, Minskaya ave, building 3
8-800-700-03-30
www.hyundai-tmu.ru

PRIVOLZHISKY FEDERAL DISTRICT

Kazan branch
Russia, 420005, Republic of Tatarstan,
Kazan, Privolzhsk region,
Alebastrovaya Str., 1
8-800-700-03-30
www.hyundai-tmu.ru

Ufa branch
Russia, 450112,
the Republic of Bashkortostan,
Ufa, Tsvetochnaya Str., 2/2
8-800-700-03-30
www.hyundai-tmu.ru

Perm branch
Russia, 614065, Perm,
Kosmonavtov shosse, 316A
8-800-700-03-30
www.hyundai-tmu.ru

Orsk branch
Russia, 462407, Orsk,
Soyuznaya Str., 8, of. 113
8-800-700-03-30
www.hyundai-tmu.ru

Nizhny Novgorod branch
Russia, 607655, Nizhny Novgorod region,
Kstovo, Lesnaya Str.
8-800-700-03-30
www.hyundai-tmu.ru

Kirov branch
Russia, 610050, Kirov,
Mendeleeva Str., 6
8-800-700-03-30
www.hyundai-tmu.ru

Saratov branch
Russia, 413112, Saratov region,
Engels, F. Engel pr-t., 211
8-800-700-03-30
www.hyundai-tmu.ru

Samara branch
Russia, 443052, Samara,
Schigrovsky per., 2
8-800-700-03-30
www.hyundai-tmu.ru

Penza branch
Russia, 440031, Penza,
Izhevskaya Str., 1b
8-800-700-03-30
www.hyundai-tmu.ru

Orenburg branch
Russia, 460027, Orenburg,
Belyakovskaya Str., 30
8-800-700-03-30
www.hyundai-tmu.ru

Naberezhnye Chelny branch
Russia, 423800, the Republic of Tatarstan,
Naberezhnye Chelny, Kazansky pr-t, 253,
highway M-7
8-800-700-03-30
www.hyundai-tmu.ru

Ulyanovsk branch
Russia, 432035, Ulyanovsk,
Avtomobilistov Str., 12, office 302
8-800-700-03-30
www.hyundai-tmu.ru

Saransk branch
Russia, 430030, Mordovia Republic,
Saransk, Stroitel'naya, 11b
8-800-700-03-30
www.hyundai-tmu.ru

URAL FEDERAL DISTRICT

Ekaterinburg branch
Russia, 624093, Sverdlovsk region,
Verkhnyaya Pyshma, Parkovaya Str., 1A
8-800-700-03-30
www.hyundai-tmu.ru

Tyumen branch
Russia, 625017, Tyumen region,
Tyumen, Avto remontnaya Str., 49, of.204
8-800-700-03-30
www.hyundai-tmu.ru

Surgut branch
Russia, 628406,
Khanty-Mansiisk autonomous district,
Surgut, Neftuganskoye shosse, 60
8-800-700-03-30
www.hyundai-tmu.ru

Labytnangy branch
Russia, 629400,
Yamal-Nenets autonomous district,
Labytnangy, Obskaya Str., 67
8-800-700-03-30
www.hyundai-tmu.ru

Magnitogorsk branch
Russia, 455016, Chelyabinsk region,
Magnitogorsk, Elkina Str., 18
8-800-700-03-30
www.hyundai-tmu.ru

Krasnotur'insk branch
Russia, 624936, Sverdlovsk region,
Karpinsk, Sovetskaya Str., 131
8-800-700-03-30
www.hyundai-tmu.ru

Chelyabinsk branch
Russia, 456677, Chelyabinsk region,
Beregovoi settlement,
Obraztsovaya Str., 16
8-800-700-03-30
www.hyundai-tmu.ru

Novy Urengoi branch
Russia, 629305,
Yamalo-Nenets autonomous district,
Novy Urengoi,
West industrial area
8-800-700-03-30
www.hyundai-tmu.ru

Nyagan branch
Russia, 628183,
Khanty-Mansiisk autonomous district,
Nyagan, Lazareva Str., 6
8-800-700-03-30
www.hyundai-tmu.ru

Nizhnevartovsk branch
Russia, 628616,
Khanty-Mansiisk autonomous district,
Nizhnevartovsk, International Str., 9,
8-800-700-03-30
www.hyundai-tmu.ru

Tobolsk branch
Russia, 626150, Tyumen region,
Tobolsk, Mezhrabaza
8-800-700-03-30
www.hyundai-tmu.ru

**Exclusive dealer
TECHMASHUNIT LLC**

NORTHWESTERN FEDERAL DISTRICT

Kaliningrad branch
Russia, 236005, Kaliningrad region,
Gurievsk region,
Maloe Lesnoe settlement, 24
8-800-700-03-30
www.hyundai-tmu.ru

Saint –Petersburg (Villozi) branch
Russia, 188508, Leningrad region,
Villozi settlement, lit/A
(Supplementary branch
198216, Saint –Petersburg,
Narodnogo opolchniya pr-t, 10, lit/A,
room 26N)
8-800-700-03-30
www.hyundai-tmu.ru

Arkhangelsk branch
Russia, 163045, Arkhangelsk,
Kuznechihinsk industrial area,
proezd 4, building 4, of. 304.305
8-800-700-03-30
www.hyundai-tmu.ru

Veliky Novgorod
Russia, 173008, Novgorod,
Bolshaya Sankt-Peterburgskaya Str.,173
8-800-700-03-30
www.hyundai-tmu.ru

Petrozavodsk branch
Russia, 185013, Karelia Republic,
Petrozavodsk,
Novosulazhgorskaya Str., 23, of. 220
8-800-700-03-30
www.hyundai-tmu.ru

Syktvykar branch
Russia, 167000, the Komi Republic,
Syktvykar, Kolhoznaya Str., 42/4
8-800-700-03-30
www.hyundai-tmu.ru

Vologda branch
Russia, 160012, Vologda,
Sovetsky pr-t, 158, of. 1,6,7
8-800-700-03-30
www.hyundai-tmu.ru

Saint-Petersburg (Vostok) branch
Russia, 195248, Saint-Petersburg,
Umansky pereulok, 72
8-800-700-03-30
www.hyundai-tmu.ru

Uhta branch
Russia, 169306, the Komi Republic,
Uhta, Transpotynaya Str., 1
8-800-700-03-30
www.hyundai-tmu.ru

SOUTHERN FEDERAL DISTRICT

Adygea branch
Russia, 385130, the Republic of Adygea,
Tahtamukaisky region, Enem settlement,
Sedina Str., 64
8-800-700-03-30
www.hyundai-tmu.ru

Georgyevsk branch
Russia, 357820, Stavropol Region,
Georgyevsk, Oktyabrya Str., 138
8-800-700-03-30
www.hyundai-tmu.ru

Stavropol branch
Russia, 356236, Stavropol Region,
Shpakovsk region, Vyazniki settlement,
Pervomayskaya , 98
8-800-700-03-30
www.hyundai-tmu.ru

Astrakhan branch
Russia, 416474, the Astrakhan,
Provolzhsk region, TEC-2 industrial area
8-800-700-03-30
www.hyundai-tmu.ru

Rostov-on-Don branch
Russia, 344065, Rostov Region,
Rostov-on-Don,
50th anniversary of Rostselmasha Str.,
1/52, of. 714, 713
8-800-700-03-30
www.hyundai-tmu.ru

Volgograd branch
Russia, 400122, Volgograd,
Aviatorov shosse, 125
8-800-700-03-30
www.hyundai-tmu.ru

Sochi branch
Russia, 354340, Krasnodar Krai,
Sochi, Malinovaya Str., 3
8-800-700-03-30
www.hyundai-tmu.ru

SIBERIAN FEDERAL DISTRICT

Abakan branch
Russia, 655002, the Republic of Khakassia,
Abakan, Saralinskaya, 1
8-800-700-03-30
www.hyundai-tmu.ru

Irkutsk branch
Russia,664043,
Irkutsk, Melnikovo settlement,
Rakitnaya Str., 30/
8-800-700-03-30
www.hyundai-tmu.ru

Omsk branch
Russia, 644035, Omsk,
Gubkina pr-t, 22, building 3
8-800-700-03-30
www.hyundai-tmu.ru

Chita branch
Russia,672026, Chita,
Uchenichesky pr-t, 9
8-800-700-03-30
www.hyundai-tmu.ru

Barnaul branch
Russia, 656057, the Altai Territory,
Barnaul, Pavlovsky trakt 200
8-800-700-03-30
www.hyundai-tmu.ru

Krasnoyarsk branch
Russia, 660115, Krasnoyarsk,
Noriiskaya, 18A
8-800-700-03-30
www.hyundai-tmu.ru

Tomsk branch
Russia, 634059, Tomsk,
Raketnaya Str., 4/1
8-800-700-03-30
www.hyundai-tmu.ru

Bratsk branch
Russia, 665702, the Irkutsk Region,
Bratsk, Padun settlement,
P 17 10 02 01/ lit/A
8-800-700-03-30
www.hyundai-tmu.ru

Novosibirsk branch
Russia, 630052, Novosibirsk,
Tolmachevskaya str., 33/3, office 205
8-800-700-03-30
www.hyundai-tmu.ru

Ulan Ude branch
Russia, 670033, the Buryat Republic,
Ulan Ude, Zalesnaya str., 1a
8-800-700-03-30
www.hyundai-tmu.ru

THE KEMEROVO REGION

Belovo branch
Russia, 652644, the Kemerovo Region,
Belovo, Inskoy settlement.
Technologicheskyy residential estate, 21
8-800-700-03-30
www.hyundai-tmu.ru

Kemerovo branch
Russia, 650021, Kemerovo,
2nd area, ATZ-1
8-800-700-03-30
www.hyundai-tmu.ru

Novokuznetsk branch
Russia, 654004, Novokuznetsk,
Shchorsa Str., 5a
8-800-700-03-30
www.hyundai-tmu.ru

THE FAR EASTERN FEDERAL DISTRICT

Blagoveshchensk branch
Russia, 675000, Blagoveshchensk,
Nagornaya Str., 19
8-800-700-03-30
www.hyundai-tmu.ru

Magadan branch
Russia, 685000, Magadan,
Pushkina Str., 16
8-800-700-03-30
www.hyundai-tmu.ru

Petropavlovsk-Kamchatsky branch
Russia, 683002, P.-Kamchatsky,
Severovostochnoe schosse Str., 42
8-800-700-03-30
www.hyundai-tmu.ru

Yakutsk branch
Russia, 677004, the Republic of Sakha,
Yakutsk,
50 years of Soviet Army Str., 53, of.302
8-800-700-03-30
www.hyundai-tmu.ru

Vladivostok branch
Russia, 690021, Vladivostok,
Cheremuhovaya Str., 7, of.302
8-800-700-03-30
www.hyundai-tmu.ru

Nahodka branch
Russia 692919, Nahodka,
Naberezhnaya Str., 4
8-800-700-03-30
www.hyundai-tmu.ru

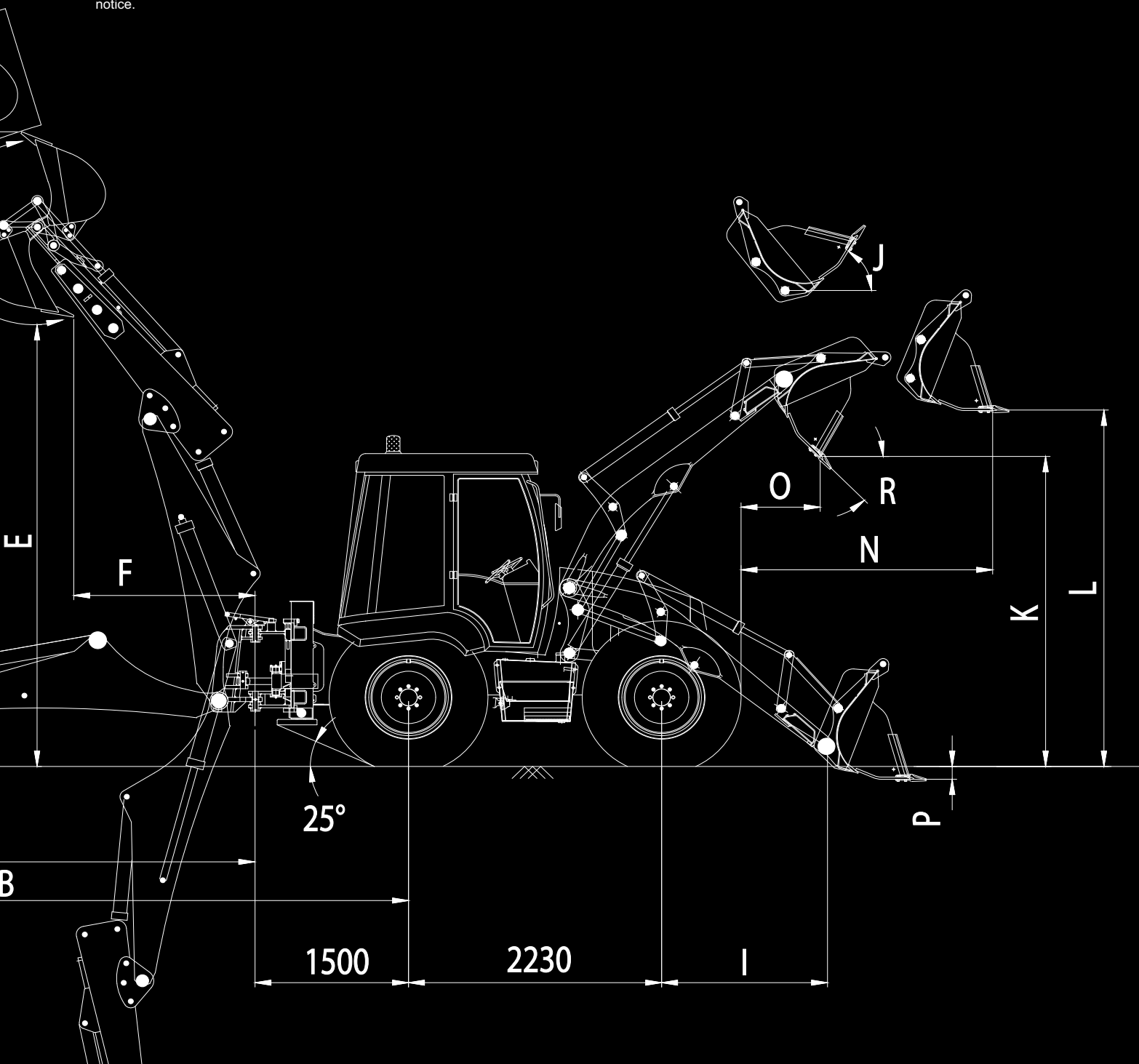
Khabarovsk branch
Russia, 680015, Khabarovsk,
Vologodskaya Str., 22, lit.B
8-800-700-03-30
www.hyundai-tmu.ru

Komsomolsk-on-Amur branch
Russia,681034, the Khabarovsk territory,
Komsomolsk-on-Amur,
Severnoye shosse, 56, of.16
8-800-700-03-30
www.hyundai-tmu.ru

Neryungri branch
Russia, 678995, the Republic of Sakha,
Neryungri, Serebryany Bor settlement
8-800-700-03-30
www.hyundai-tmu.ru

Yuzhno-Sakhalinsk branch
Russia,693012,Yuzhno-Sakhalinsk,
Mira Str., 1V, of. 104,106
8-800-700-03-30
www.hyundai-tmu.ru

- The illustrations of the machine may show additional equipment installed on request, or may not be standard equipment.
- Manufacturer reserves the right to make changes to the above specifications without notice.



Exclusive manufacturer of backhoe loaders ELAZ BL
on territory of Russian Federation

CONTACT DETAILS

423600, Republic of Tatarstan, Elabuga region, Elabuga,
"Alabuga" Industrial Site territory,
13 str., Production base №6 of JSC "PA ELAZ"

TRADE HOUSE «ELAZ»

tel.: +7 (85557) 5-58-70, 5-57-96 , 5-58-66,
E-mail: market14@elaz.ru
www.elaz.ru

24-hour SERVICE SERVICE AND WARRANTY SERVICE

tel.: +7 (85557) 5-57-96, 5-56-02 ,
mob.: +7-937-585-00-79, +7-927-470-30-51
E-mail: avzalov@elaz.ru, td-servis@elaz.ru



8-800-700-16-25
Free call in Russia

